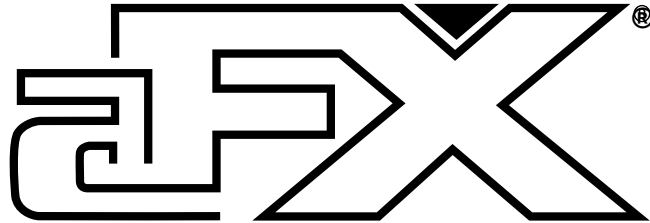




1612 Hutton Drive, Suite 140 • Carrollton, Texas 75006  
 Phone: (800) 558-6960 • Fax: (972) 389-4752



- **aFX® DOCKLEVELER STANDARDIZED PIT DETAILS – STRAIGHT PIT**
- **STAR® CONDUIT RUN DETAILS** *(Back Cover)*

CUSTOMER \_\_\_\_\_

ADDRESS \_\_\_\_\_

JOB \_\_\_\_\_

**DOCKLEVELER: aFX®** Model Number \_\_\_\_\_ Quantity \_\_\_\_\_

**DOCKLEVELER RATING PER ANSI MH14.1-1987:**

30K       35K       40K       45K       50K

**LIPL LENGTH:**       16"       18"       20"

**aFX™ DOCKLEVELER ELECTRICAL REQUIREMENTS:**

Voltage: 115V       Phase 1Ø       Frequency 60 Hz       Solar

**STAR RESTRAINTS:**       STAR 1       STAR 1 with TRUK ALERT       STAR 4  
 STAR 2

**NOTE:** All STAR restraints, except STAR 1, require 115V, 1Ø, 60 Hz.

**CERTIFIED FOR CONSTRUCTION**

BY \_\_\_\_\_ DATE \_\_\_\_\_

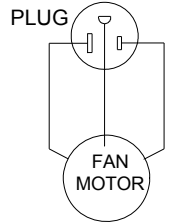
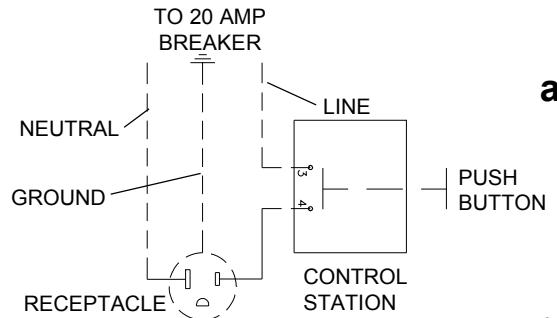
COMPANY \_\_\_\_\_

CITY & STATE \_\_\_\_\_

**▲ WARNING**

*Death or serious injury could result from failure to follow Kelley specifications for pit dimensions and/or configurations, or conduit location; improper installation of dock leveler, anchoring devices or optional/accessory equipment; installation into improperly formulated, prepared or placed concrete or concrete which is otherwise inadequate or unsound*

# aFX® DOCKLEVELER STANDARDIZED PIT DETAILS STRAIGHT PIT



**115V, Single Phase, 60 Hz**

3/4" CONDUIT, WITH 115V RECEPTACLE (NEMA 5-15R) WIRED AS SHOWN FOR PLUG IN CONNECTION. LOCATION TO BE FLUSH OR RECESSED MOUNTED ON CENTER (SIZE OF CONDUIT AND WIRE GAUGE MAY VARY WITH LOCAL CODES.)

**FOR SOLAR APPLICATIONS SEE APPROVAL DRAWINGS FOR ALL CONDUIT INFORMATION.**

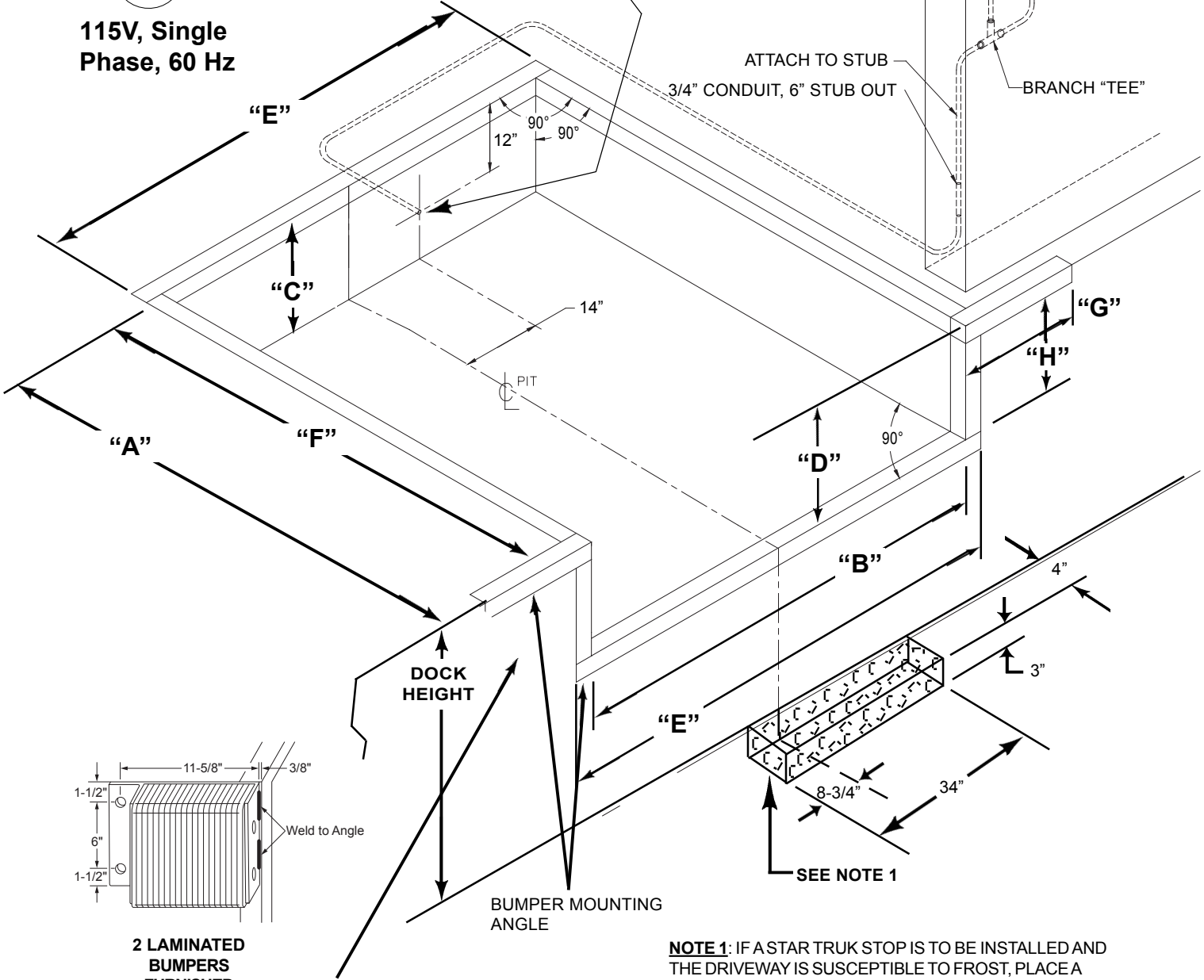
TO 20 AMP BREAKER, 115VAC, 1Ø POWER SUPPLY

DOCKLEVELER CONTROL BOX

ATTACH TO STUB

3/4" CONDUIT, 6" STUB OUT

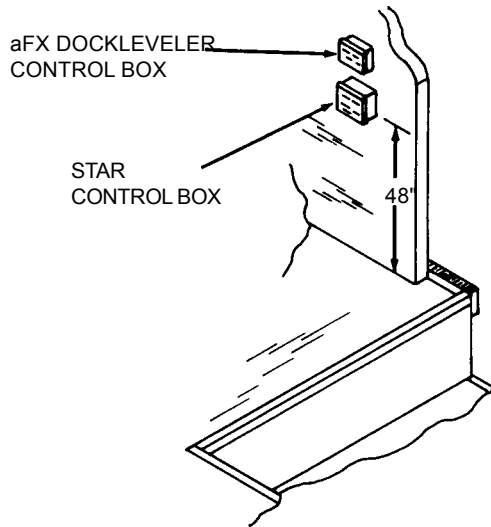
BRANCH "TEE"



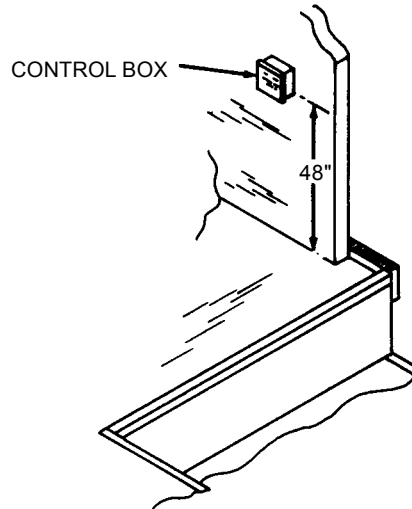
**2 LAMINATED BUMPERS FURNISHED BY KELLEY**

**NOTE 1:** IF A STAR TRUK STOP IS TO BE INSTALLED AND THE DRIVEWAY IS SUSCEPTIBLE TO FROST, PLACE A STYRAFOAM BLOCK IN THE CONCRETE IN THIS AREA. THIS WILL PREVENT DAMAGE TO THE STAR TRUK STOP WHEN DRIVEWAY RISES.

# aFX® DOCKLEVELER STANDARDIZED PIT DETAILS – STRAIGHT PIT

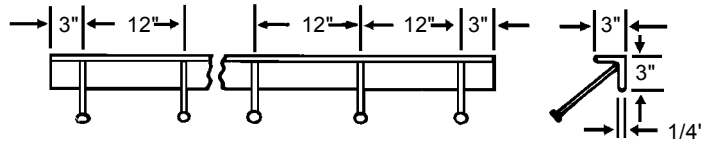


**LOCATION FOR aFX® DOCKLEVELER AND STAR® CONTROLS**



**LOCATION FOR SINGLE CONTROL BOX FOR DOCKLEVELER OR STAR®**

## ANCHOR LAYOUT FOR CURB ANGLE



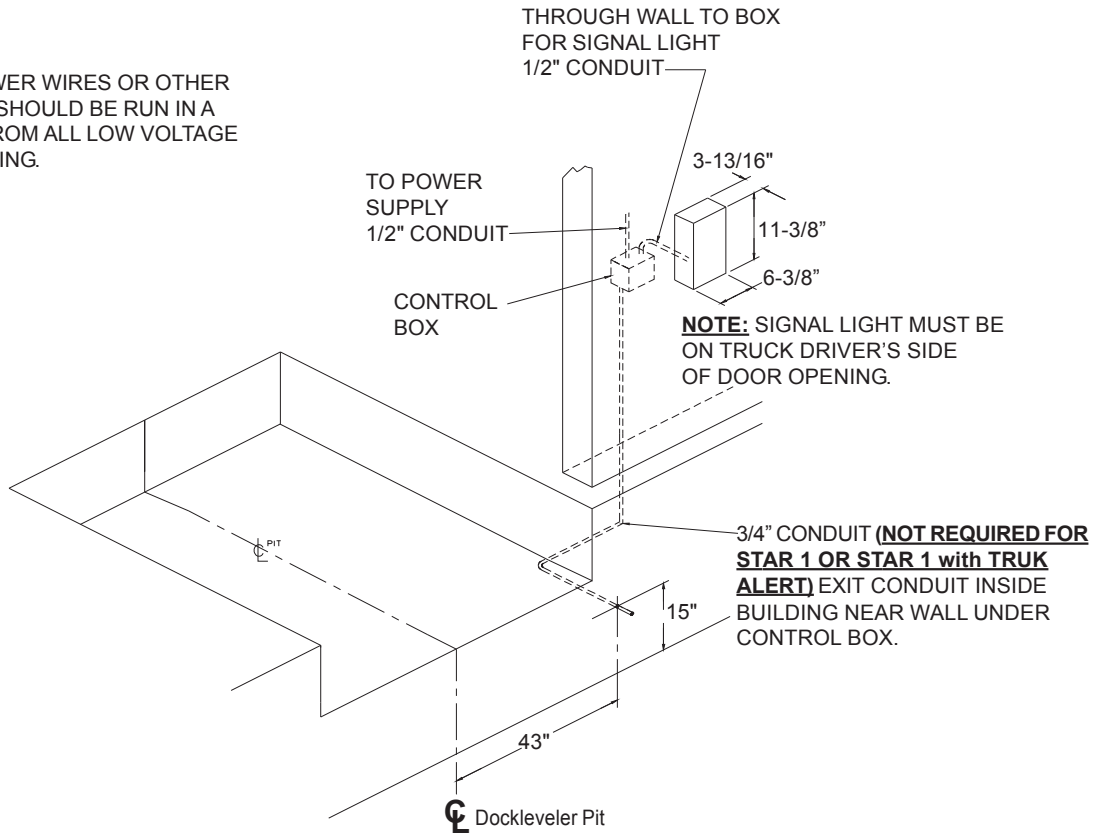
CONCRETE ANCHORS, 1/2" DIA., 6" LONG, LOCATED AS SHOWN

NOMINAL DOCKLEVELER SIZE		6' x 6'	6' x 8'	6' x 10'	6.5' x 6'	6.5' x 8'	6.5' x 10'	7' x 6'	7' x 8'	7' x 10'
PIT LENGTH	DIM. "A"	63"	87"	111"	63"	87"	111"	63"	87"	111"
PIT WIDTH	DIM. "B"	74"	74"	74"	80"	80"	80"	85"	85"	85"
PIT DEPTH Rear	DIM. "C"	19-1/2"	19-1/2"	23-1/2"	19-1/2"	19-1/2"	23-1/2"	19-1/2"	19-1/2"	23-1/2"
PIT DEPTH Front	DIM. "D"	20"	20"	24"	20"	20"	24"	20"	20"	24"
CURB ANGLE Front/Rear	DIM. "E"	80"	80"	80"	86"	86"	86"	91"	91"	91"
CURB ANGLE Side	DIM. "F"	60"	84"	108"	60"	84"	108"	60"	84"	108"
CURB ANGLE Bumper	DIM. "G"	21"	21"	21"	21"	21"	21"	21"	21"	21"
CURB ANGLE Bumper	DIM. "H"	17"	17"	21"	17"	17"	21"	17"	17"	21"

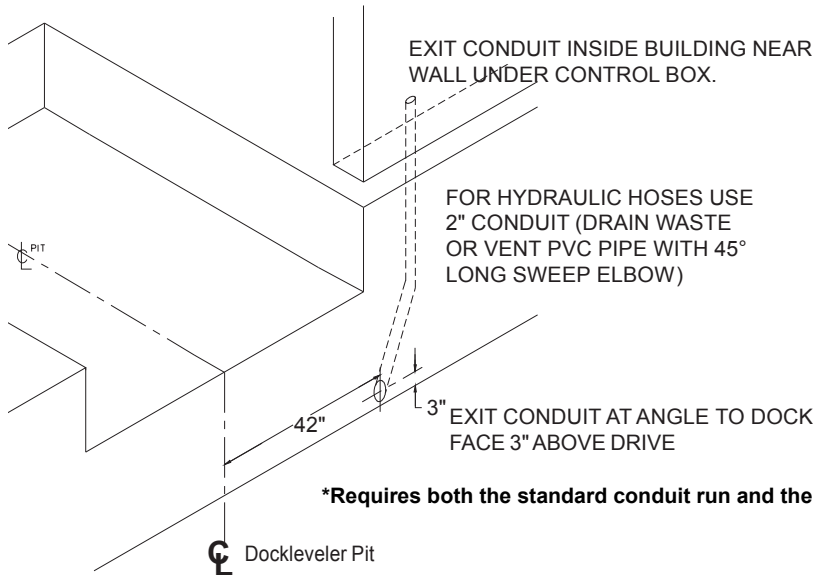
**NOTE:** See Kelley Drawing No. 10-740 for Cantilever Pit Detail.  
See Kelley Product Manual for Wiring Diagrams.

# STAR® CONDUIT RUN LOCATION DETAILS

**NOTE:** ALL MOTOR POWER WIRES OR OTHER HIGH VOLTAGE WIRES SHOULD BE RUN IN A SEPARATE CONDUIT FROM ALL LOW VOLTAGE CONTROL CIRCUIT WIRING.

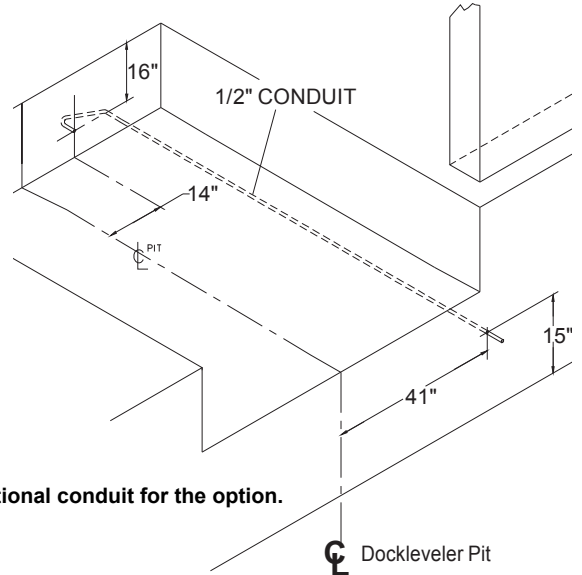


## \*ADDITIONAL CONDUIT REQUIREMENTS FOR OPTIONAL FLOOD PACKAGE — STAR 4



\*Requires both the standard conduit run and the additional conduit for the option.

## \*ADDITIONAL CONDUIT REQUIREMENTS FOR OPTIONAL LIP LIMIT SWITCH — STAR 4



1612 Hutton Drive, Suite 140 • Carrollton, Texas 75006  
Phone: (800) 558-6960 • Fax: (972) 389-4752