



1612 Hutton Drive, Suite 140 • Carrollton, Texas 75006  
Phone: (800) 558-6960 • Fax: (972) 389-4752

# KELLEY

## ■ HHC HYDRAULIC DOCKLEVELER PIT DETAILS

## ■ STAR® CONDUIT RUN DETAILS *(Back Cover)*

CUSTOMER \_\_\_\_\_

ADDRESS \_\_\_\_\_

JOB \_\_\_\_\_

**DOCKLEVELER:** HYDRAULIC    MODEL NUMBER \_\_\_\_\_    QUANTITY \_\_\_\_\_

**DOCKLEVELER RATING PER ANSI MH14.1-1987:**

60K     80K

**LIP LENGTH:**     18"     20"

**HYDRAULIC DOCKLEVELER ELECTRICAL REQUIREMENTS:**

Voltage:     115     208     220     230     380     460     575

Phase:     1Ø     3Ø

Frequency:     60 Hz     50 Hz

**STAR RESTRAINTS:**     STAR 1     STAR 1 with TRUKALERT     STAR 4  
 STAR 2

**NOTE:** All STAR restraints, except STAR 1, require 115V, 1Ø, 60 Hz.

### CERTIFIED FOR CONSTRUCTION

BY \_\_\_\_\_    DATE \_\_\_\_\_

COMPANY \_\_\_\_\_

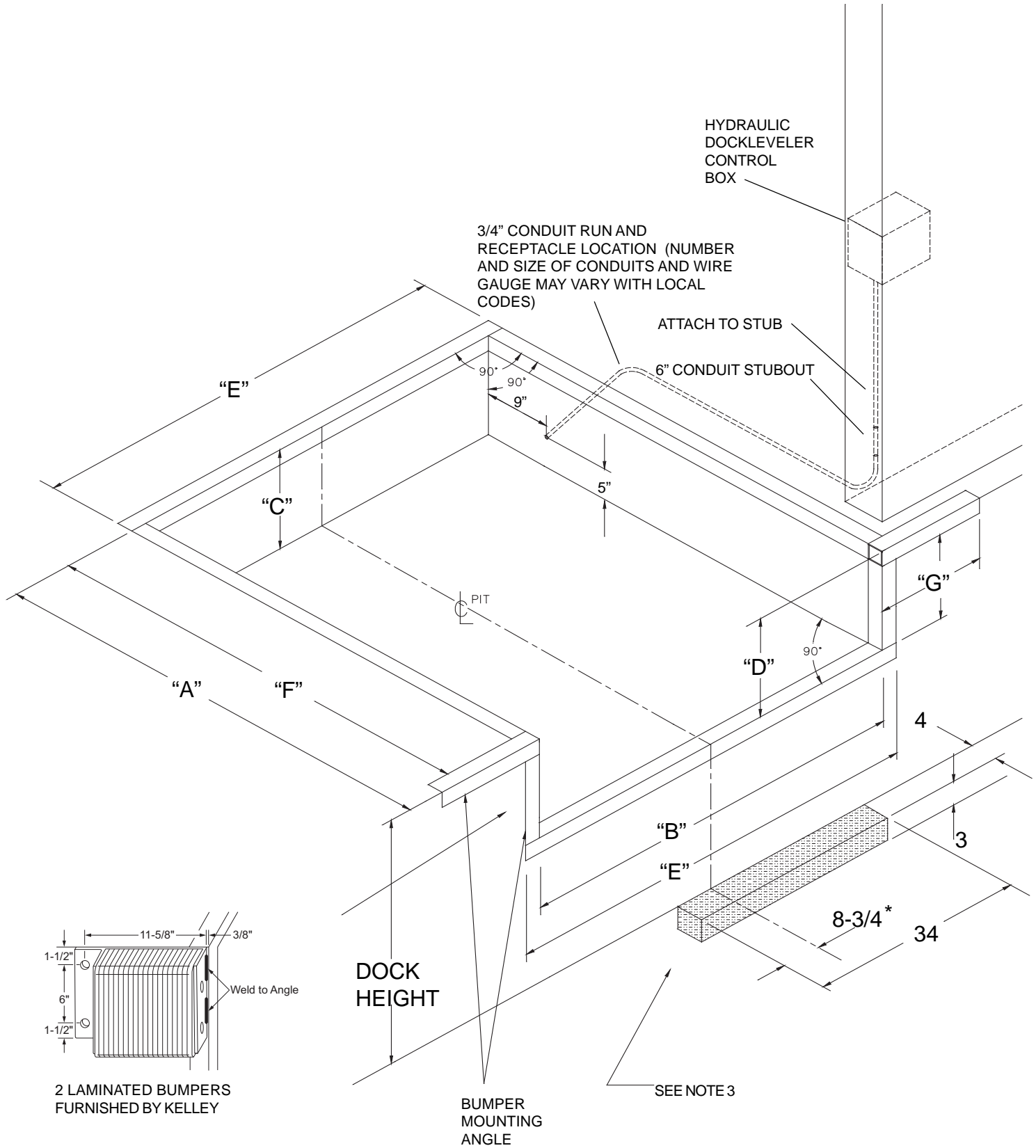
CITY & STATE \_\_\_\_\_

5574 R2 AUGUST 2007



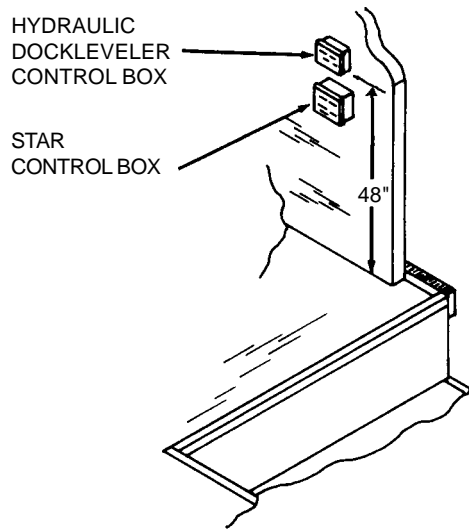
*Death or serious injury could result from failure to follow Kelley specifications for pit dimensions and/or configurations, or conduit location; improper installation of dock leveler, anchoring devices or optional/accessory equipment; installation into improperly formulated, prepared or placed concrete or concrete which is otherwise inadequate or unsound.*

# HHC HYDRAULIC DOCKLEVELER PIT DETAILS

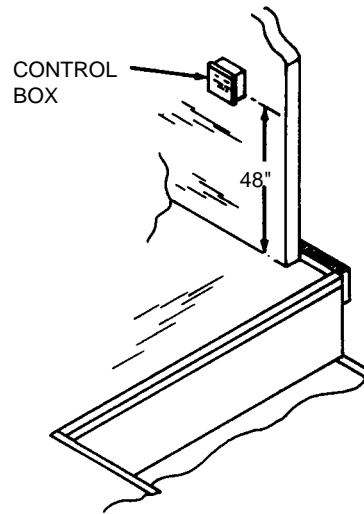


**NOTE 3:** IF A STAR TRUK STOP IS TO BE INSTALLED AND THE DRIVEWAY IS SUSCEPTIBLE TO FROST, PLACE A STYROFOAM BLOCK IN THE CONCRETE IN THIS AREA. THIS WILL PREVENT DAMAGE TO THE STAR TRUK STOP WHEN DRIVEWAY RISES.

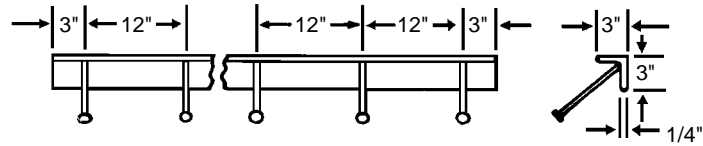
### LOCATION FOR HYDRAULIC DOCKLEVELER AND STAR CONTROLS



### LOCATION FOR SINGLE CONTROL BOX FOR DOCKLEVELER OR STAR



### ANCHOR LAYOUT FOR CURB ANGLE



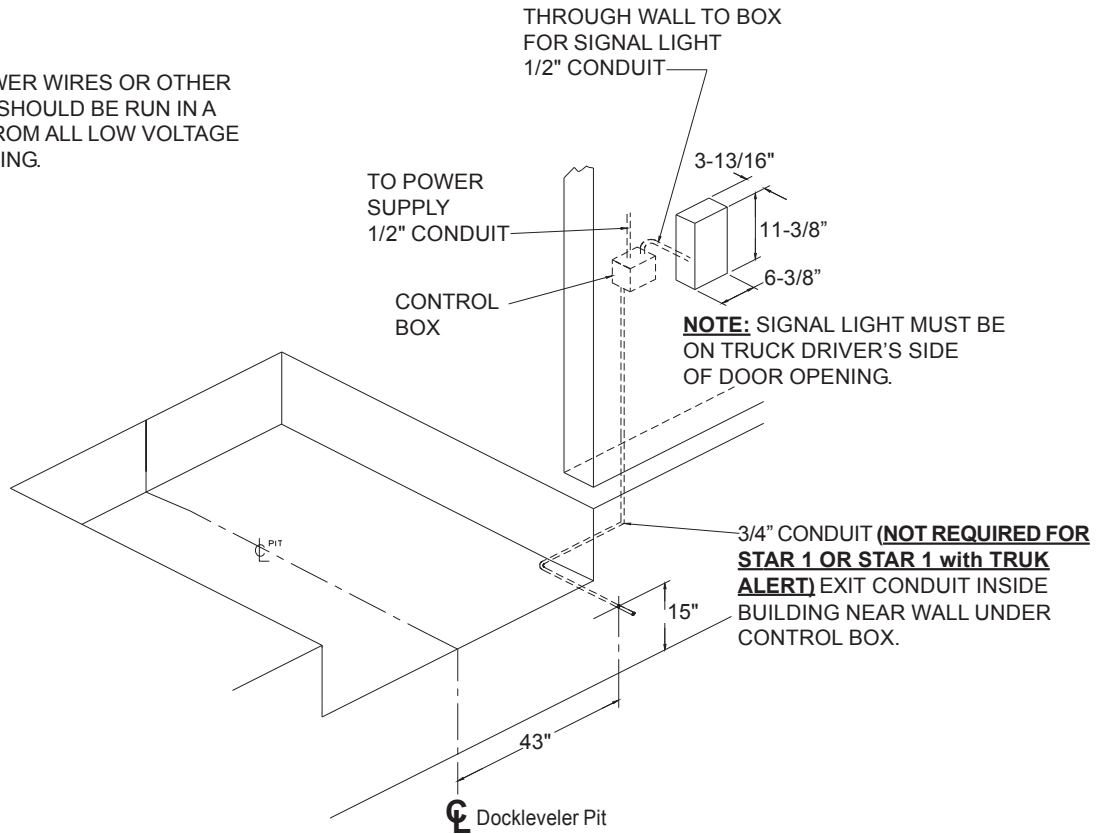
CONCRETE ANCHORS, 1/2" DIA., 6" LONG, LOCATED AS SHOWN

### HHC DOCKLEVELER PIT DIMENSIONS

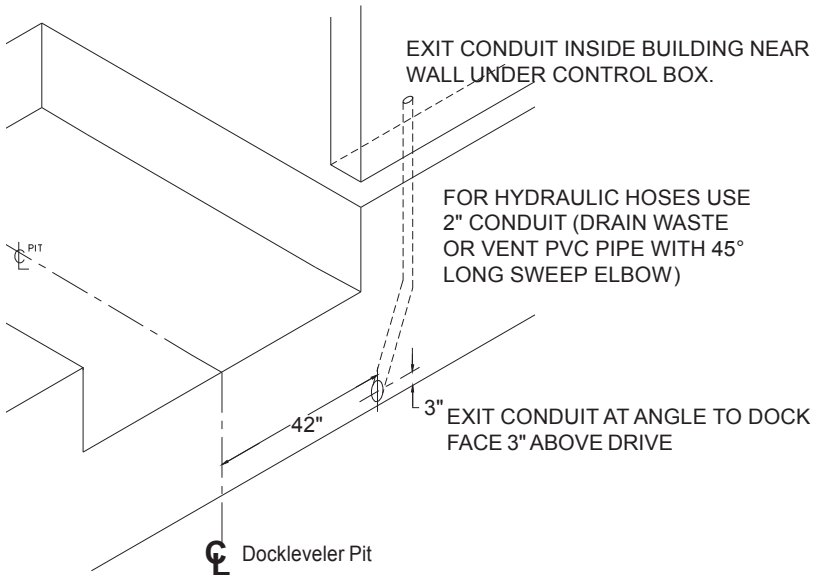
NOM. DOCKLEVELER SIZE		6' x 6'	6' x 8'	6' x 10'	6.5' x 6'	6.5' x 8'	6.5' x 10'	7' x 6'	7' x 8'	7' x 10'
PIT LENGTH	<b>DIM. "A"</b>	63"	87"	111"	63"	87"	111"	63"	87"	111"
PIT WIDTH	<b>DIM. "B"</b>	73"	73"	73"	79"	79"	79"	85"	85"	85"
PIT DEPTH Rear	<b>DIM. "C"</b>	23-1/2"	23-1/2"	23-1/2"	23-1/2"	23-1/2"	23-1/2"	23-1/2"	23-1/2"	23-1/2"
PIT DEPTH Front	<b>DIM. "D"</b>	24"	24"	24"	24"	24"	24"	24"	24"	24"
CURB ANGLE Front & Rear	<b>DIM. "E"</b>	79"	79"	79"	85"	85"	85"	91"	91"	91"
CURB ANGLE Side	<b>DIM. "F"</b>	60"	84"	108"	60"	84"	108"	60"	84"	108"
CURB ANGLE Bumper	<b>DIM. "G"</b>	21"	21"	21"	21"	21"	21"	21"	21"	21"

# STAR® CONDUIT RUN LOCATION DETAILS

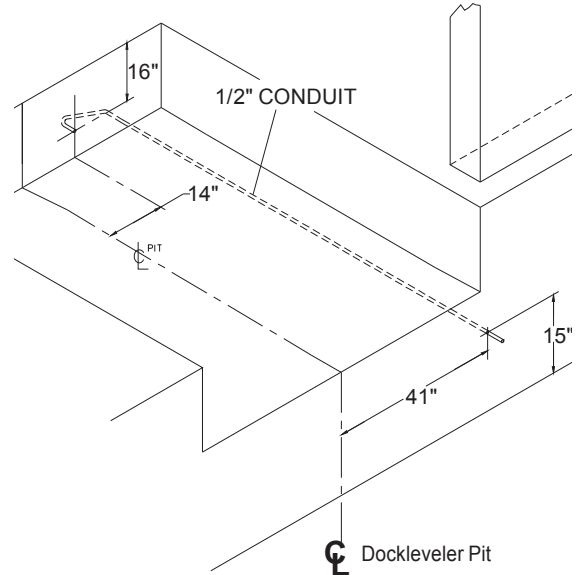
**NOTE:** ALL MOTOR POWER WIRES OR OTHER HIGH VOLTAGE WIRES SHOULD BE RUN IN A SEPARATE CONDUIT FROM ALL LOW VOLTAGE CONTROL CIRCUIT WIRING.



## \*ADDITIONAL CONDUIT REQUIREMENTS FOR OPTIONAL FLOOD PACKAGE — STAR 4



## \*ADDITIONAL CONDUIT REQUIREMENTS FOR OPTIONAL LIP LIMIT SWITCH — STAR 4



**\*Requires both the standard conduit run and the additional conduit for the option.**



1612 Hutton Drive, Suite 140 • Carrollton, Texas 75006  
Phone: (800) 558-6960 • Fax: (972) 389-4752