



WEARMASTER® DOCK SEAL SYSTEM

W M S E R I E S S P E C I F I C A T I O N S

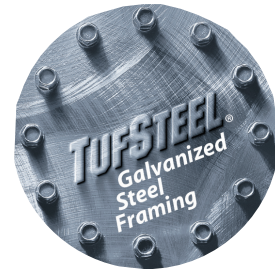


Design Highlights

- Two-piece head pad system with sliding front pad increases wearability
- Roll-formed galvanized steel framing reduces pressure on building wall
- Full-width durable head pad wear face included on the mobile head pad portion
- Head pad mounted firmly to steel framing with TEK screws inserted through heavy-duty washers
- 4" exposure wear pleating moves with trailer, extending fabric life in key wear areas
- Reinforced TEK screws provide firm attachment of the sliding wear pleat system to side pads
- Sliding wear pleat system and front head pad are easily replaced without dock seal removal
- Strong urethane-coated base material provides good sliding surface for mobility of wear surfaces

Project Information

Job Name _____
 Address _____
 General Contractor _____
 Distributor _____
 Quantity _____

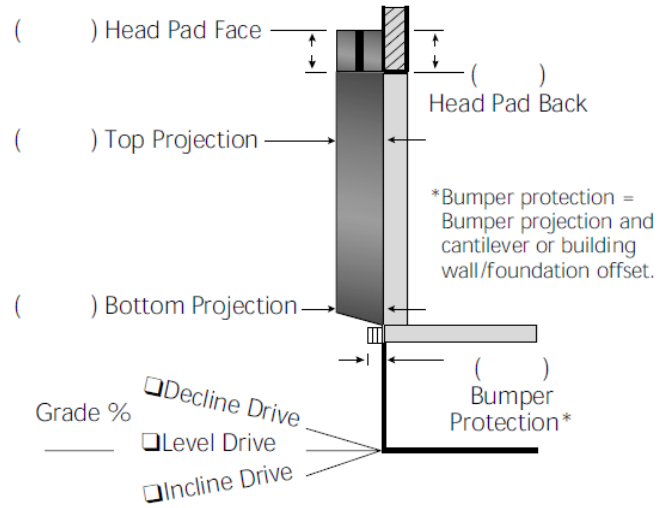
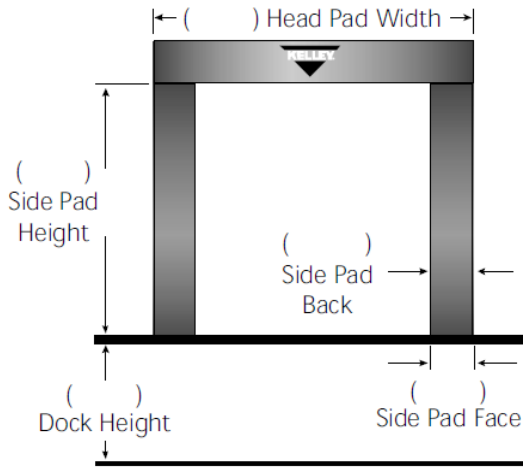


Certified For Construction

By _____
 Company _____
 Address _____
 Date _____

WEARMASTER® DOCK SEAL SYSTEM

W M S E R I E S S P E C I F I C A T I O N S



APPLICATION DATA

Door Width: _____ ft. _____ in.
 Door Height: _____ ft. _____ in.
 Dock Height: _____ ft. _____ in.
 Bumper Protection*: _____ in.
 (*Includes bumper projection and any building wall/foundation offset or cantilever)

TRUCKS AND TRAILERS SERVICED

Width: _____ Max. _____ Min.
 Height: _____ Max. _____ Min.
 Length: _____ Max. _____ Min.
 Hydraulic Tailgate: Yes No
 Rear Step Section: Yes No
 Tailgate/Step Section Size: _____ In.
 Yard Jockeys: Yes No

QUANTITY _____

Model WM Flame Retardant Fabric & Foam Flame Retardant Fabric Only

Framing Roll Formed Galvanized Steel

Head Pad Width _____ (Total Inches)

Head Pad Bevel 12/12 18/18 12/15 12/18

Drop Curtain None 12" Hook-Loop

Side Pad Height _____ (Total Inches)

Side Pad Bevel 12/12 6/10 8/12 10/12 10/15 8/15 12/15 10/18 6/14

Base Material 22 oz. Vinyl, Black

Taper Tapered Non-Tapered

Top Projection 10" 12" 14" 16" 18" 20" 22"

Bottom Projection 10" 12" 14" 16" 18" 20" 22"

Bottom Flaps (3" Inside Bottom Flaps are Standard)

6" Inside Inside & Front All 3 Sides

Wear Surface Full Width Black TS-55® is Standard on the Head Pad Front Chamber

Reinforced Inside Face Side Pad 4" Side Pad Full Height

Material 40 oz. Vinyl TS-55®

Color Black Tan Brown Blue Green

Wear Pleats Black TS-55® 4" Exposure is Standard on the Side Pads and Head Pad Corners

Options Door Numbers

Side Pad Mounting Brackets None Flats & Angles Angles

1 1/2" Offset Flats & Angles

Note: Not all options are available with all models.

*Conversions: To convert measurements to metric, see formulas below:

Inches x 25.4 = millimeters (Example: 4" x 25.4 = 101.6 mm)

Feet x .3048 = meters (Example: 12' x .3048 = 3.66 m)

KELLEY