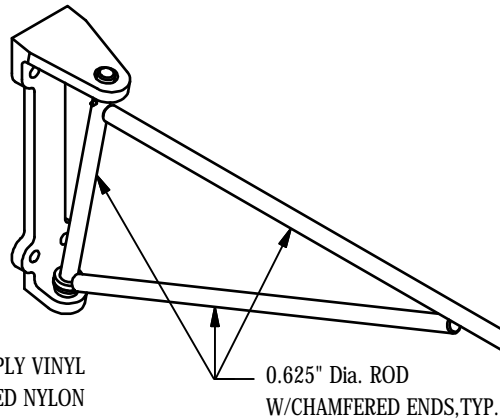


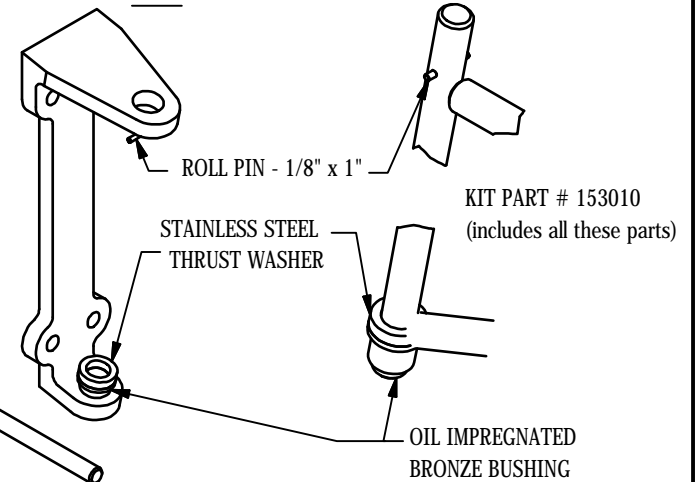
TOP MOUNTED GRAVITY HINGE ASSEMBLY



ZINC WALL BASE w/BEARINGS

PART #:86657

QTY. _____



TOP MOUNTED GRAVITY HINGE A	POWDER COATED PART #	STAINLESS STEEL PART #	QUANTITY
SINGLE 18"	50010	K0010	
SINGLE 24"	50020	K0011	
SINGLE 30"	50021	K0012	
SINGLE 36"	50022	K0013	
SINGLE 42"	50023	K0014	
SINGLE 48"	50024	K0015	
SINGLE 60"	50026	K0016	
BI-PART 36"	50029	K0017	
BI-PART 48"	50030	K0018	
BI-PART 60"	50031	K0019	
BI-PART 72"	50032	K0020	
BI-PART 84"	50033	K0021	
BI-PART 96"	50034	K0022	
BI-PART 120"	50036	K0023	

OTHER ACCESSORIES

3/8" RIVET & WASHER KIT FOR FLEX DOOR - PART #:K0024 (25 ea)

1/2" RIVET & WASHER KIT FOR FLEX DOOR - PART #:K0025 (25 ea)

5/8" RIVET & WASHER KIT FOR FLEX DOOR - PART #:K0026 (25 ea)

3/4" RIVET & WASHER KIT FOR FLEX DOOR - PART #:K0027 (25 ea)

AVAILABLE IN GREEN ONLY
FOR REPLACEMENT PANEL, CONTACT
FACTORY

**100-50, AIRGARD FLEXIBLE
VINYL TRAFFIC DOOR**

PART REPLACEMENT ORDER FORM

Chase Doors

World's Leading Manufacturer Of Traffic Doors
CINCINNATI, Ohio and Redmond Oregon
Phone Toll Free: 1-800-543-4455
Email: cscin@chasedoors.com