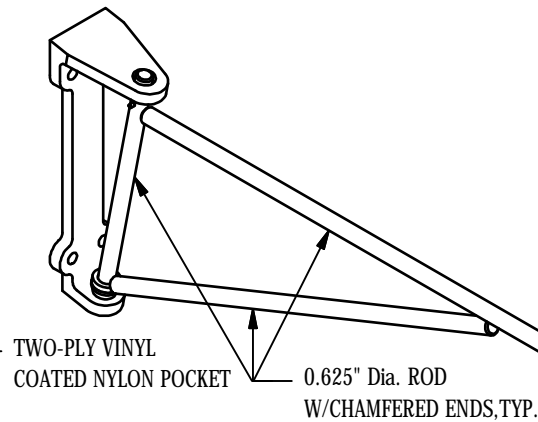


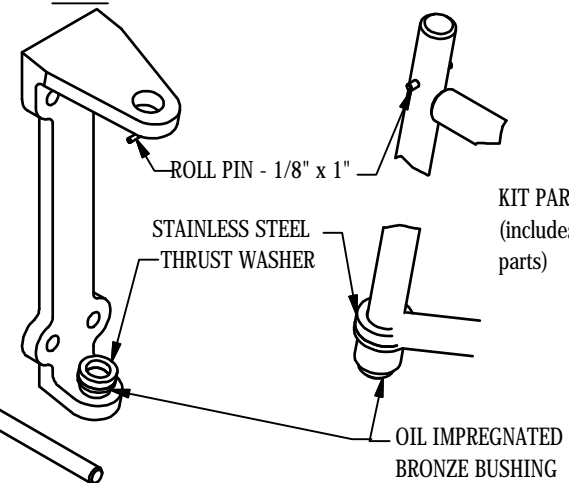
**TOP MOUNTED GRAVITY HINGE ASSEMBLY**



**ZINC WALL BASE w/BEARINGS**

PART #:86657

QTY.



**KIT PART # 153010**  
(includes all these parts)

5/32" PVC  
  
PVC IMPACT PLATE

TOP MOUNTED GRAVITY HINGE A	POWDER COATED PART #	STAINLESS STEEL PART #	QUANTITY
SINGLE 18"	50010	K0010	
SINGLE 24"	50020	K0011	
SINGLE 30"	50021	K0012	
SINGLE 36"	50022	K0013	
SINGLE 42"	50023	K0014	
SINGLE 48"	50024	K0015	
SINGLE 60"	50026	K0016	
BI-PART 36"	50029	K0017	
BI-PART 48"	50030	K0018	
BI-PART 60"	50031	K0019	
BI-PART 72"	50032	K0020	
BI-PART 84"	50033	K0021	
BI-PART 96"	50034	K0022	
BI-PART 120"	50036	K0023	

**OTHER ACCESSORIES**

- 711 BRACKET ATTACHMENT - 2"X3"X12" ANGLE - US - PART #50130
- 711 BRACKET ATTACHMENT - 1-1/2"X1-1/2"X12" ANGLE - CANADA - PART #50135
- 3/8" RIVET & WASHER KIT FOR FLEX DOOR - PART #:K0024 (25 ea)
- 1/2" RIVET & WASHER KIT FOR FLEX DOOR - PART #:K0025 (25 ea)
- 5/8" RIVET & WASHER KIT FOR FLEX DOOR - PART #:K0026 (25 ea)
- 3/4" RIVET & WASHER KIT FOR FLEX DOOR - PART #:K0027 (25 ea)

FOR REPLACEMENT PANEL, CONTACT  
FACTORY

**973, AIRGARD FLEXIBLE  
VINYL TRAFFIC DOOR**

PART REPLACEMENT ORDER FORM



World's Leading Manufacturer Of Traffic Doors  
CINCINNATI, Ohio and Redmond Oregon  
Phone Toll Free: 1-800-543-4455  
Email: cscin@chasedoors.com