

ENTRE//MATIC



Dynaco D-311

Slimline Stainless

**Gravity
driven**
low friction technology



inside door



D-311 Slimline Stainless

The DYNACO D-311 Slimline Stainless high-speed door is engineered to provide safe, quiet and efficient area separation where high cycle operation and sanitation are critical. Full stainless steel construction and a state of the art wash-down drive system provide years of reliable service in demanding hygienic applications. High speed operation, ultra tight seal and soft curtain technology assure outstanding environmental control as well as safety for pedestrians and equipment.

- **EASY CLEANING / SANITARY DESIGN:** USDA/FDA compliant curtain is smooth and free of mechanical components which can trap contamination. #304 stainless steel construction and wash-down drive system makes cleaning and maintaining a sanitary environment simple.

- **SAFETY FIRST:** With a DYNACO door, your safety is assured. Infrared photo-eyes reverse the door automatically if an obstruction is detected. Our soft bottom edge curtain is free of heavy, rigid components thus protecting users and equipment from common hard edge accidents. Our OPTIONAL EGRESS FEATURE provides additional safety for your employees in an emergency.
- **ENERGY SAVINGS:** Installing a DYNACO door saves energy! Its high speed operation and industry leading seal significantly reduce unwanted air transfer saving energy expenses.
- **SUPERIOR SEAL:** The patented side guides and tight seal keep out unwanted contamination and eliminate wear prone weather-strip systems. Your valuable products and equipment are protected!
- **PRODUCTION EFFICIENCY:** Your production flow is optimized by the DYNACO door's industry leading opening and closing speeds. True SELF-REINSERTION eliminates manual intervention thus reducing maintenance and increasing uptime.

Egress Feature



Reintroduction Block




**Gravity
driven**
low friction technology



inside door

CHARACTERISTICS

Door Specifications	
Max. Dimensions	Width 12'0" Height 12'0"
Operating Speed	72" per second opening 24" per second closing
Door Operation	Gravity driven with flexible curtain
Side Guides	Stainless Steel structural channels
Inner Side Guides	Reinforced Polyethylene (PE-UHMW 1000)
Rollup Drum	Stainless Steel shafts, drums and bearings
Door Curtain	Anti-microbial PVC (27 oz/sq.yd.) and continuous sealing bead, with flexible ballast soft bottom edge. Optional: USDA / FDA compliant
Color Choices	<p>Yellow RAL1003</p> <p>Orange RAL2004</p> <p>Red RAL3000</p> <p>Blue RAL5002</p> <p>Brown RAL8017</p> <p>Green RAL6005</p> <p>Grey RAL7038</p> <p>White RAL9010</p> <p>Black RAL9005</p> 

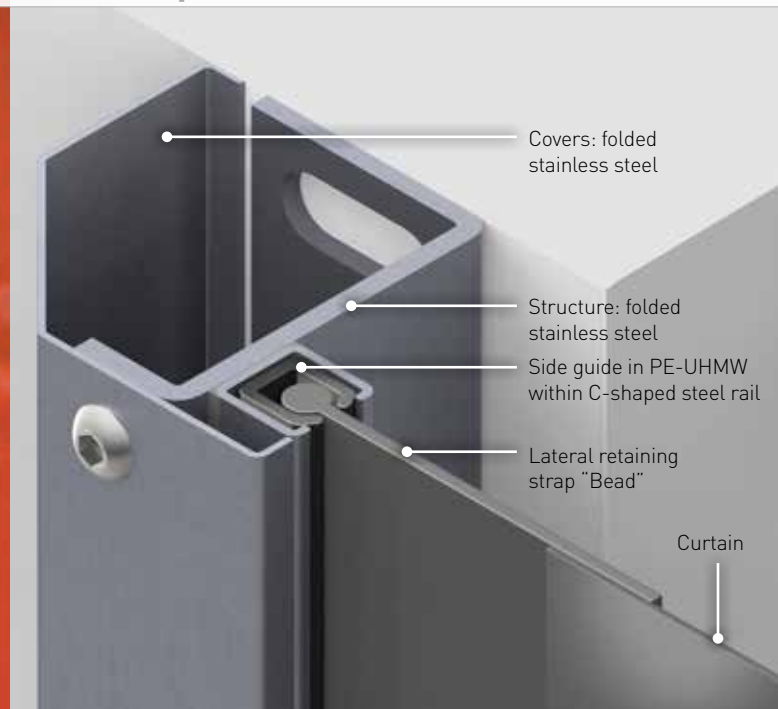
CHARACTERISTICS

Door Specifications	
Vision	One vision banner 15" high x door width. Optoin configurations available.
Motor NEMA 4	1 HP, IP 65 rated motor is VFD driven, with 2 poles and direct current braking. 5 year unlimited cycle drive warranty.
Door positioning	Absolute encoder with battery backup
Safety devices	Standard NEMA 4X infra-red photo-eyes installed 12" above the floor automatically reverses the curtain when an obstruction is detected. Wireless bottom edge detector reverse the curtain when it strikes an obstacle during the closing cycle.
Power supply Control box	Standard single phase 208-230 VAC; Three phase 208-230 VAC; Three phase 460 AC Optional: three phase 575 VAC Frequency: 50-60 Hz Stainless steel control box 22"x13"x8" (NEMA 4X) Dynalogix II control system Variable frequency drive E-stop Electrical disconnect

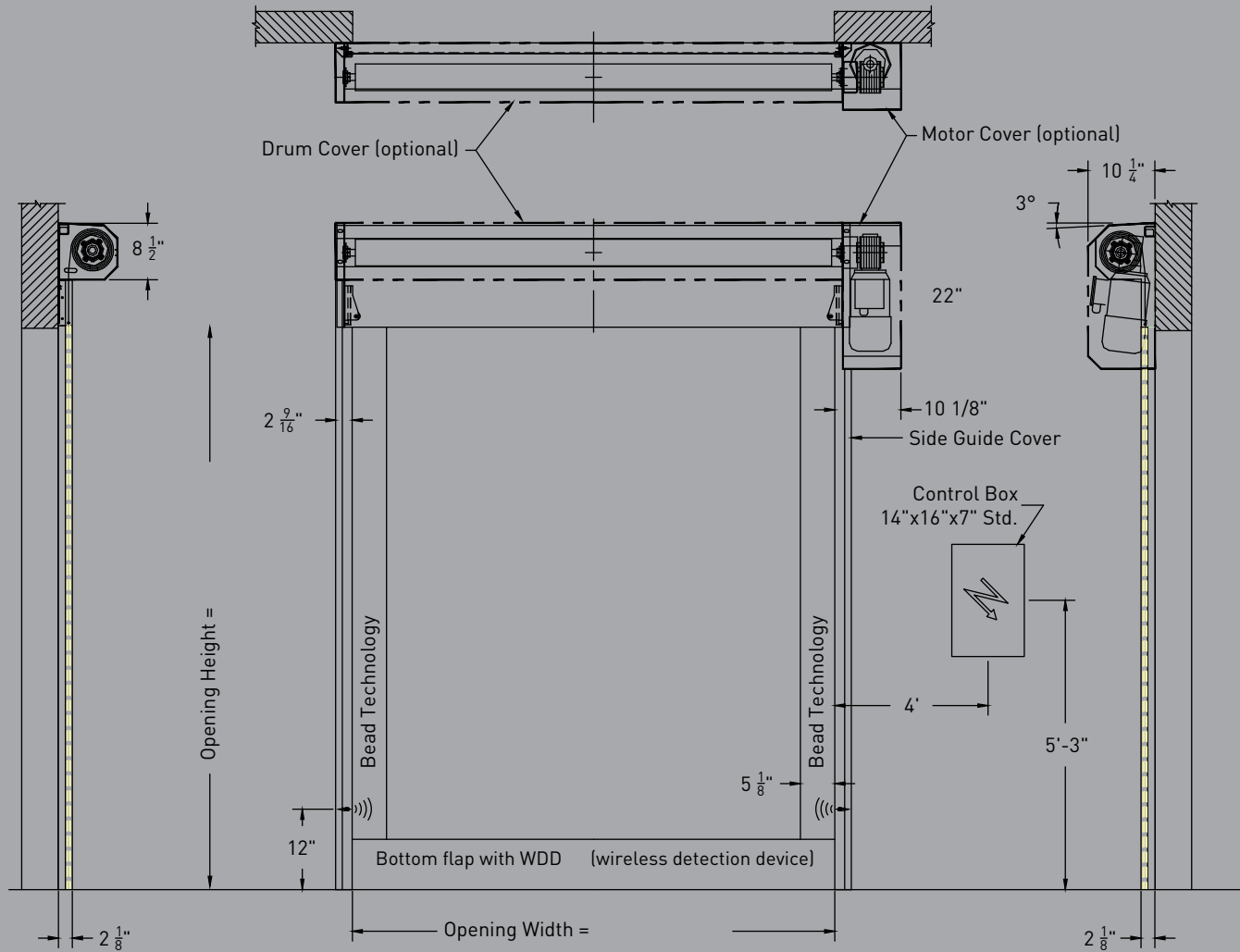
Easy to Clean



Suprior Seal Side Guide



Dimensions and installation requirements for Dynaco D-311 Slimline Stainless Door



All indicated dimensions are net; the space necessary for mounting and maintenance has to be provided.
REMARK: based on the risk analysis of the environment, extra push buttons, detectors and covers might be required.

Entrematic offers a comprehensive range of products for industrial, commercial, institutional and residential applications, including sectional doors, loading dock equipment, high-performance doors, residential garage doors, pedestrian door automation and openers. Built on nearly 200 years of accumulated expertise, Entrematic is the preferred partner of distributors and the number one choice of end user customers, providing innovative products, technical expertise and a portfolio of industry-leading brands including Amarr, Kelley, Serco, Dynaco and Ditec. Entrematic, Amarr, Kelly, Serco, Normstahl, Dynaco, Ditec and EM, as words and logotypes, are examples of trademarks owned by Entrematic Group AB or companies within the Entrematic Group.

The Dynaco products are protected by worldwide registered patents. As part of its policy of continuous product development, Entrematic reserves the right to change the characteristics of its products or components without prior notice.

Disclaimers: For a correct use of our products, please refer to our manual. Everything that is mentioned in this brochure is only valid under the terms of use in the user manual and on condition that the door was properly installed and maintained and has not undergone abuse nor neglect.

© Entrematic Group AB, 2017

PS-D311SS-USA-V3.1

Entrematic

935 Campus Dr. Mundelein, IL 60060 USA

P: 1-800-459-1930; P: 1-847-562-4910

F: 1-800-459-1960

E: dynaco@dynacodoor.us

www.dynacodoor.us

ENTRE/MATIC