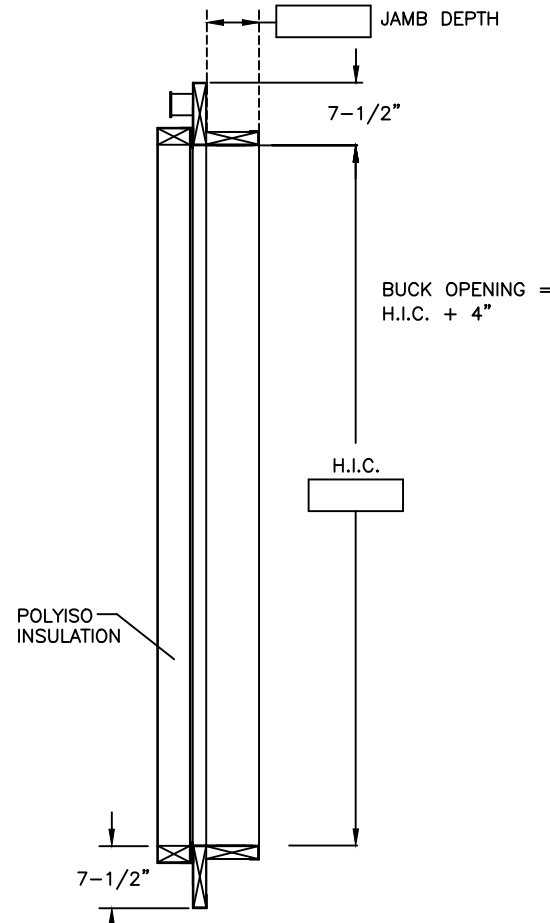
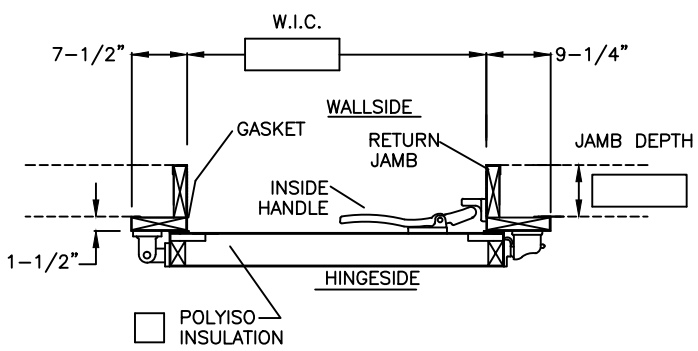


BUCK OPENING = W.I.C. + 4" = 40"



NOTE: LEFT SWING SHOWN, RIGHT SWING OPPOSITE



SUBMITTAL DRAWING NOTES—PLEASE SPECIFY ALL AREAS CHECKED OTHER

OPTION NUMBER	DESCRIPTION

INSTALLATION REQUIREMENTS

- I. THE FLOOR UNDER THE DOOR MUST BE LEVEL AND SMOOTH
- II. THE WALL BEHIND THE DOOR FRAME MUST BE SMOOTH AND IN A COMMON PLANE

DOOR PANEL AND FRAME

1. DOOR THICKNESS
4" 6" (FREEZER ONLY)
2. TEMPERATURES
WALL SIDE HINGESIDE
= _____ °F = _____ °F
3. SWING
LEFT
RIGHT
4. PANEL AND FRAME CLADDING
WHITE STUCCO EMBOSSED GALV STEEL
SANDSTONE STUCCO EMBOSSED GALV STEEL
MILL FINISH STUCCO EMBOSSED STEEL
STAINLESS STEEL
WHITE STUCCO EMBOSSED ALUMINUM
MILL FINISH STUCCO EMBOSSED ALUMINUM
5. FASTENERS
THROUGH BOLTS
GALV LAG BOLTS
OTHER
6. JAMBS
JAMB DEPTH _____
HDPE CLAD IN SAME MATL AS DOOR
CHANNEL TRIM
OTHER

OPTIONS

7. FREEZER DOOR
HEATER WIRE RUN THROUGH ALL 4 SIDES OF THE DOOR FRAME
8. INSIDE CASINGS
9. HOOD
MATCHED TO FACE OF DOOR
OTHER
10. KICKPLATES
HINGESIDE WALLSIDE
HEIGHT: 18" 24" 36" 48" OTHER
ALUMINUM DIAMOND PLATE
18 GA. STAINLESS STEEL
16 GA. GALV. STEEL
OTHER
11. VISION PANEL
12 3/4" X 12 3/4" INSULATED
12 3/4" X 12 3/4" HEATED
OTHER

DOOR NO.	QTY.	W.I.C.	H.I.C.	USE	SWING	FINISH COVERING		HARDWARE FINISH	RETURN DEPTH
						GAGE			

HERCULES
Renowned, resilient doors. By Kingspan

HIGH SILL OVERLAP DOOR

SCALE: NONE	DRAWN BY
DATE:	
For:	Job No.
	DRAWING NUMBER